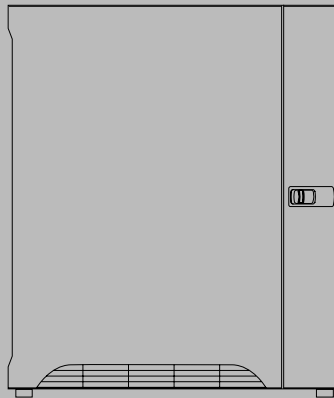


# ZANUSSI

## TUMBLE DRYER TCS 65W





# Important Safety Information

**It is most important that this instruction book should be retained with the appliance for future reference. Should the appliance be sold or transferred to another owner, or should you move house and leave the appliance, always ensure that the book is supplied with the appliance in order that the new owner can get to know the functioning of the appliance and the relevant warnings.**

**These warnings have been provided in the interest of safety. You MUST read them carefully before installing or using the appliance.**

## Installation

- Any electrical work required to install this appliance should be carried out by a qualified electrician or a competent person.
- It is dangerous to alter the specifications or modify this product in any way.
- Care must be taken to ensure that the appliance does not stand on the electrical supply cable.
- This appliance must be installed in a clean, dry environment. Cabinet damage, which is not covered by guarantee, could result if this recommendation is not followed.

## Child Safety


- This machine is designed to be operated by adults. Children must not be allowed to tamper with the controls or play with the product.
- Keep all packaging well away for children.
- Pets and children have been known to climb into tumble dryers. Check your drum before use.

## During Use

- Always switch off and unplug the appliance after use.
- Care must be taken when removing or replacing the condenser as it can be awkward and heavy.
- This product should be serviced by an authorised Zanussi Service Centre, and only genuine Zanussi spare parts should be used.
- Do not overload the appliance.
- Never tumble dry items that have had contact with chemicals such as dry cleaning fluid. These are of a volatile nature and could cause an explosion.
- Fluff filter must be cleaned after every use.
- Do not operate the appliance with a damaged filter or with no filter at all, as this may cause a fire.
- Clean the condenser regularly.

- Do not allow fluff to accumulate around the dryer.
- As some bulky items such as duvets and eiderdowns should be dried in large commercial machines because of their bulk, check with the manufacturer of the item if it is suitable for drying in a domestic machine, even if the dry weight of the item is within the limit advised.
- Under no circumstances should you attempt to repair the machine yourself. Repairs carried out by inexperienced persons may cause injury or serious malfunctioning. Refer to your local Zanussi Service Centre. Always insist on genuine Zanussi spare parts.

## Environmental Information

- Materials marked with the symbol  are recyclable.
- When the appliance is to be scrapped, cut off the power supply cable and make the door closing device unusable to prevent young children from being trapped inside.
- Help to keep your country tidy - use authorised disposal sites for your old appliance.

# Contents

## For the user

<b>Important safety information</b>	<b>2</b>
<b>Description of the appliance</b>	<b>4-5</b>
<b>Instructions for use</b>	
Before you use the dryer for the first time	6
Capacity	6
Examples of laundry item weights	6
<b>Program chart</b>	
Which program should I use	7
<b>General washing and drying information</b>	
Sorting	8
Spinning (water extraction)	8
Getting the load size right	8
Fluff	8
Shrinkage	8
Items which should not be tumble dried	8
<b>Regular care of your tumble dryer</b>	
The filters	9
The condenser	9
Emptying the water tank	10
<b>Something not working</b>	<b>11</b>
Service and spare parts	12
Customer Care	12
<b>Guarantee Conditions</b>	<b>13</b>

## For the installer

<b>Installation instructions</b>	<b>14-17</b>
<b>Technical specifications</b>	<b>14</b>
Consumption according to the IEC 1121 international standard	14
Choosing where to install the dryer	15
Worktop installation	15
Electrical supply	15
Wall mounting	16
Electrical connection	17

## Guide to use the instruction book

The following symbols will be found in the text to guide you throughout the instructions:



**Safety instructions**

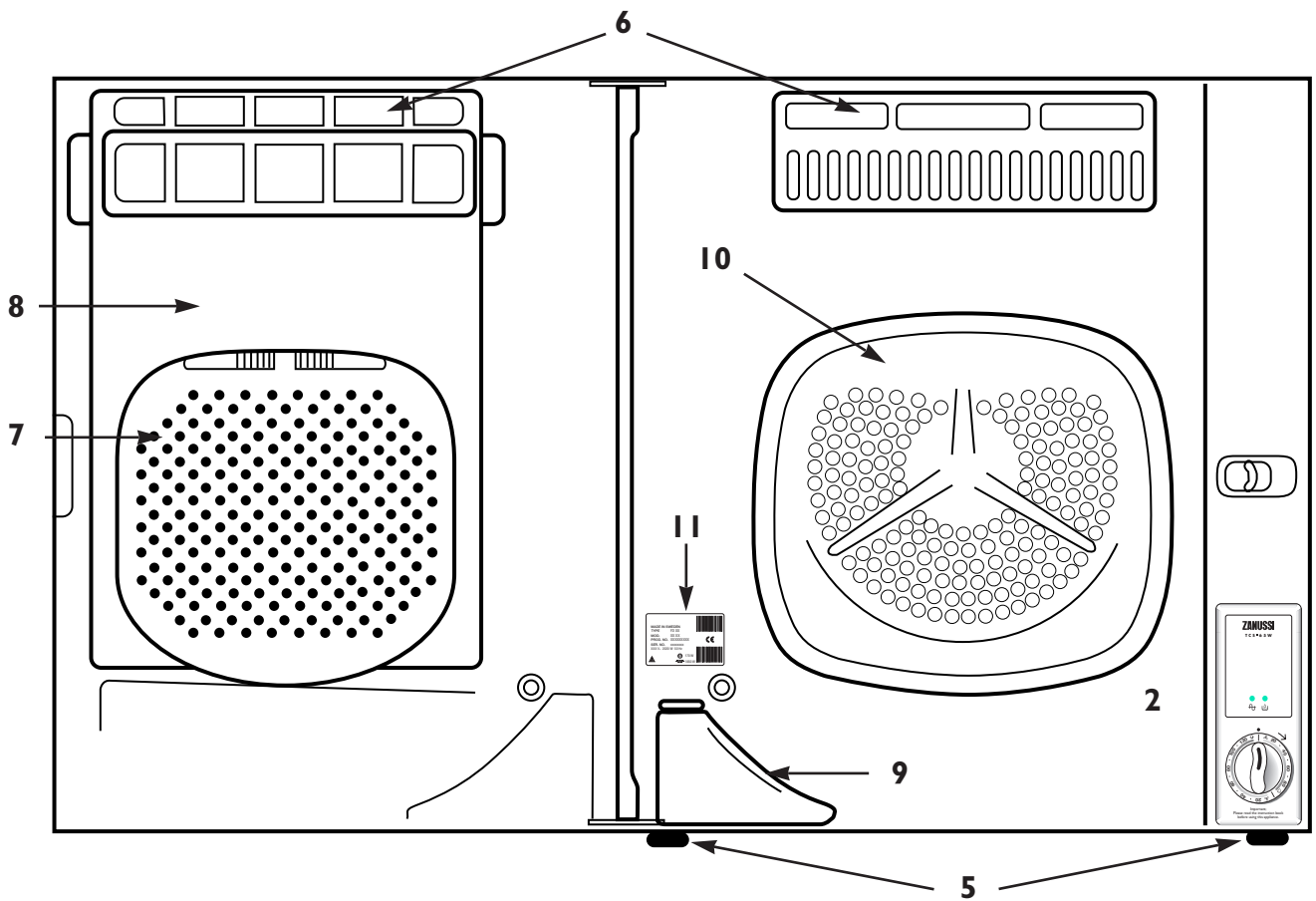
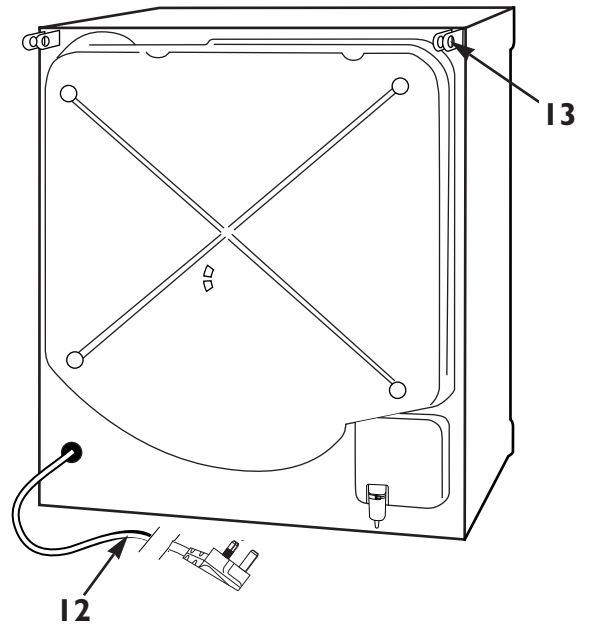
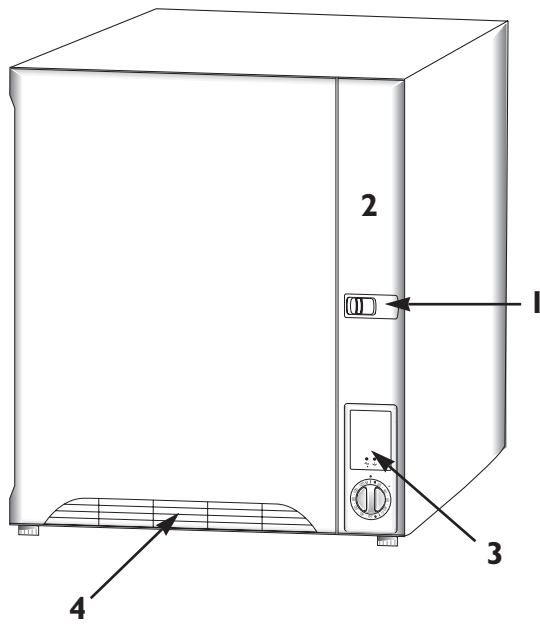


**Step by step instructions**



**Hints and tips**

# Description of the appliance



1. **Door Latch** (push the knob to the right to open)

2. **Space for programme chart**

(Self-adhesive label)

Choose the language you require and attach the chart to a suitable place on the dryer.

3. **Control panel with indicator lights**

• **Lights**

 **A.** Indicates the dryer is running

 **B.** Indicates that the water tank is full

• **On/off timer knob**

**C.** Turn this knob in a clockwise direction to start the dryer and set both the drying time and the drying temperature.

**High heat:** The timer indicates 20 mins - 120 mins for cotton/linen.

**Low heat:** The time indicates 20 mins - 80 mins for synthetics.

The last 8 - 12 minutes of each drying cycle is a cool down phase.

4. **Warm air discharge**

5. **Adjustable feet**

If the dryer is not being wall mounted the feet need to be adjusted so that the dryer is level.

6. **Air ducts** - These should not be obstructed

7. **Filters** (The fluff filter is behind the coarse filter.)

Should be cleaned before or after each load. The fluff filter is behind the coarse filter and can be removed for cleaning.

8. **Condenser**

This is built into the door and needs to be cleaned at regular intervals.

9. **Water tank**

This fills up with the water condensed by the dryer, and should be emptied before or after each load.

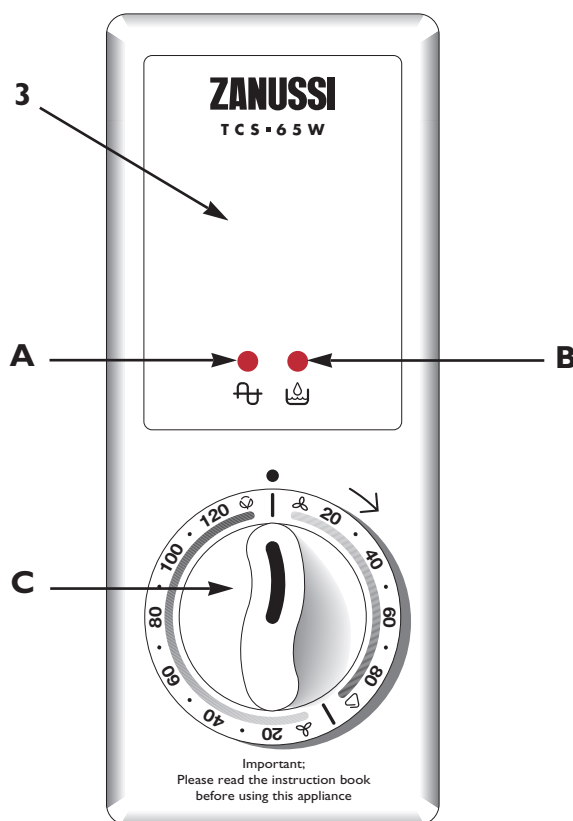
When the tank is full, warning light (B) will come on and the dryer will stop automatically. It cannot be restarted until the tank has been emptied.

10. **Drum**

11. **Rating plate**

12. **Electrical lead**

13. **Non-tip device**



# Instructions for use

## Before you use the dryer for the first time

Dampen some clean pieces of unwanted cloth and dry them for about 15 minutes the very first time, to make sure that there is no dust or dirt in the dryer.

1. Check that the dryer is connected to the electrical supply.
2. Open the door by pushing the knob to the right (A).
3. Check that the lint filter (B) is clean and that the coarse filter (C) is lowered and has snapped into place.
4. Check that the water tank (D) is empty and pushed correctly into place.
5. Put the load for drying into the machine. Make sure that it is right inside the drum. Do not mix synthetics with natural materials.
6. Close the door.
7. According to the type of load, turn the on/off timer knob (E) to start the dryer and choose a suitable drying time on either the Cotton or the Synthetics time scale.

## Capacity (dry items)

Cotton	max. 3.5 kg
Synthetics	max. 1.5 kg

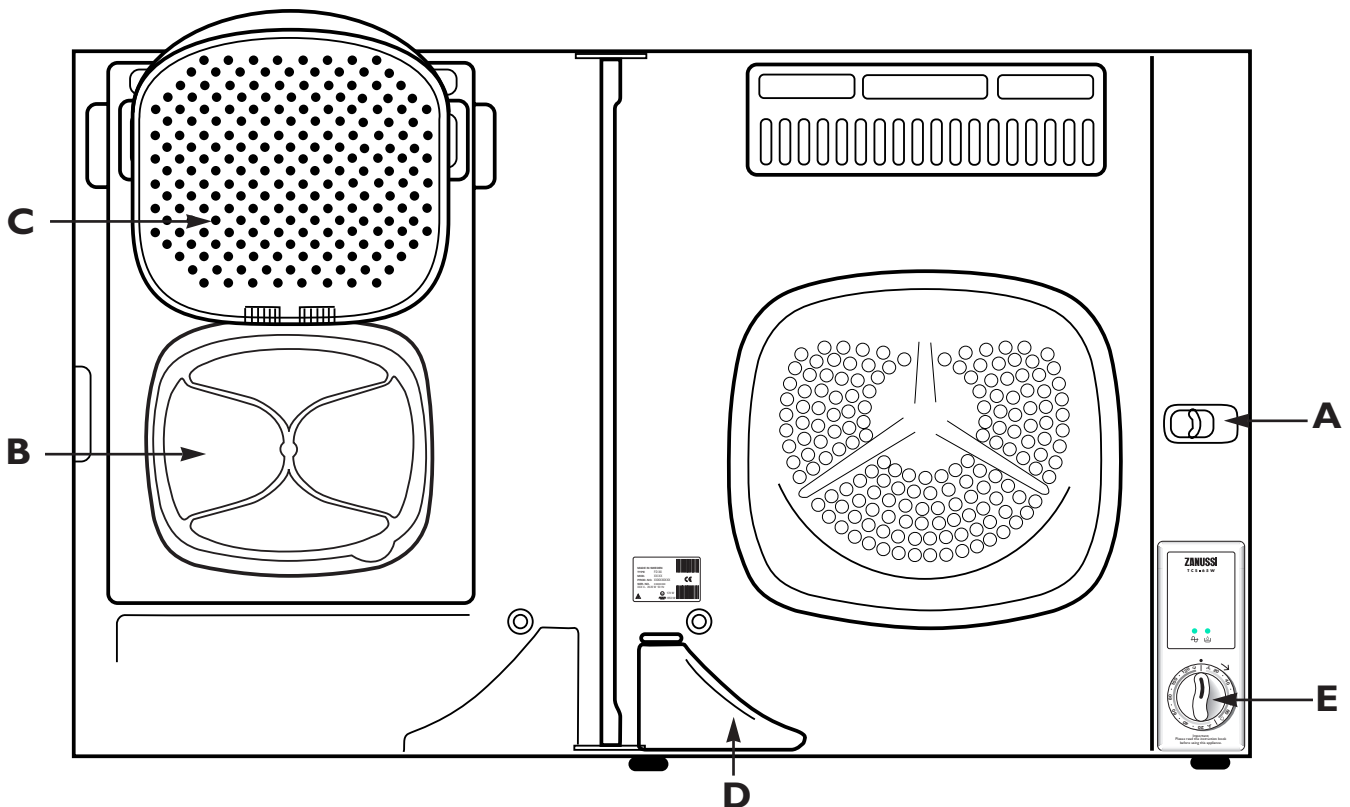
## Examples of laundry item weights

(dry items)

Here is a list of common laundry items and their approximate weights

Sheet	700 to 1000g
Pillowcase	100 to 200g
Tablecloth	400 to 500g
Table Napkin	50 to 100g
Kitchen Towel	70 to 120g
Linen Hand Towel	100 to 150g
Hand Towel	150 to 250g
Bath Towel	700 to 1000g
Bathrobe	100 to 1500g
Shirt	200 to 300g
Apron	150 to 200g

The best and most economical load is the maximum indicated for the different types of fabric.



# Program chart

## Which program should I use?

### Timed drying

This program chart is designed to help you dry your laundry correctly. The program/timer knob has two different sections, each with its own drying temperature and time scale:





is used to represent cotton. Here you can set the dryer for up to 120 minutes, because cotton and thick non-synthetic fabrics need longer to dry.



is used to represent synthetic fabrics and delicate items. Because these are more sensitive than cotton, they need a lower drying temperature. Here you can set the dryer for up to 80 minutes.

Do not overdry your laundry. It can make it difficult to iron, and harsher to the touch, besides wasting energy.

During the last 8-12 minutes of each program, the load is cooled to reduce the risk of creasing.

COTTON Type of laundry	How dry?	DRYING TIME 0 - 120 MIN Spun at approx. 800 rpm before loading into dryer 	
Cottons Towelling (Terry) Sheets Towels	<b>Cupboard dry</b>	3.5 kg 2 kg 1 kg	95 - 110 min 75 - 85 min 45 - 55 min
	<b>Iron dry</b> (for ironing)	3.5 kg 2 kg 1 kg	80 - 95 min 60 - 75 min 35 - 45 min
SYNTHETICS Type of laundry Items which need a reduced drying temperature	How dry?	DRYING TIME 0 - 80 MIN Spun at approx. 800 rpm before loading into dryer 	
Delicate items Heat-sensitive items (see garment care label)	<b>Cupboard dry</b>	1.5 kg 0.7 kg	70 - 80 min 30 - 40 min
	<b>Iron dry</b> (for ironing)	1.5 kg 0.7 kg	55 - 65 min 25 - 35 min

If the laundry is spun at less than 800 rpm, the residual dampness will be higher and consequently the drying time should be increased. If the laundry is spun at 1000 rpm or higher the residual dampness will be lower and consequently the drying time can be reduced.

# General washing and drying information

## Sorting

Always sort loads for drying according to the type of textile (check the care labels) and how much you want to dry them. Load items loosely into the drum. Do up zip fasteners and tie loose ribbons, tapes or fabric belts. Close any tapes or fasteners on duvet covers and pillow cases to prevent smaller items from getting trapped inside.

## Spinning (water extraction)

Loads should be well spun. The higher the spin speed, the faster your tumble dryer will dry the load, and the more energy-efficient the whole process will be. Do not tumble dry dripping wet garments.

## Getting the load size right

An overloaded tumble dryer will cause creasing. Drying loads which are too small is uneconomical.

## Fluff

The first time you use the tumble dryer, you will probably be surprised at the amount of fluff produced. This is perfectly normal, and does not mean that your tumble dryer is wearing out your clothes. When garments are worn and washed by hand or machine, fibres and fluff are released, but remain on the surface of the material. If dried outdoors on a line these fibres will be blown away by the wind. In a tumble dryer the fluff is collected in the filter and accumulates through the drying process.

## Shrinkage

To avoid shrinking, garments should not be overdried. Always check the care labels on your fabrics.

## Items which should not be tumble dried

Items which are especially delicate, such as curtains of synthetic fabric, woollen garments, silk, textiles with a metal component, nylon socks/stockings. Garments made mostly from foam rubber or rubber-like materials must **NOT** be dried in the tumble dryer.



**Obviously, you must not dry garments in the machine which are unsuitable for tumble drying. These are usually labelled with this symbol.**



**Garments which have been treated with flammable liquids (benzine, alcohol, stain removal products) should not be dried in the tumble dryer on account of the risk of fire. Always follow the recommendations of the garment/item manufacturer.**



**Tumble drying beneficial**



**Do not tumble dry**



**Dry flat**



# Regular care of your tumble dryer

## The filters

For your tumble dryer to function properly, the filters need to be cleaned before or after every load dried. To clean them:

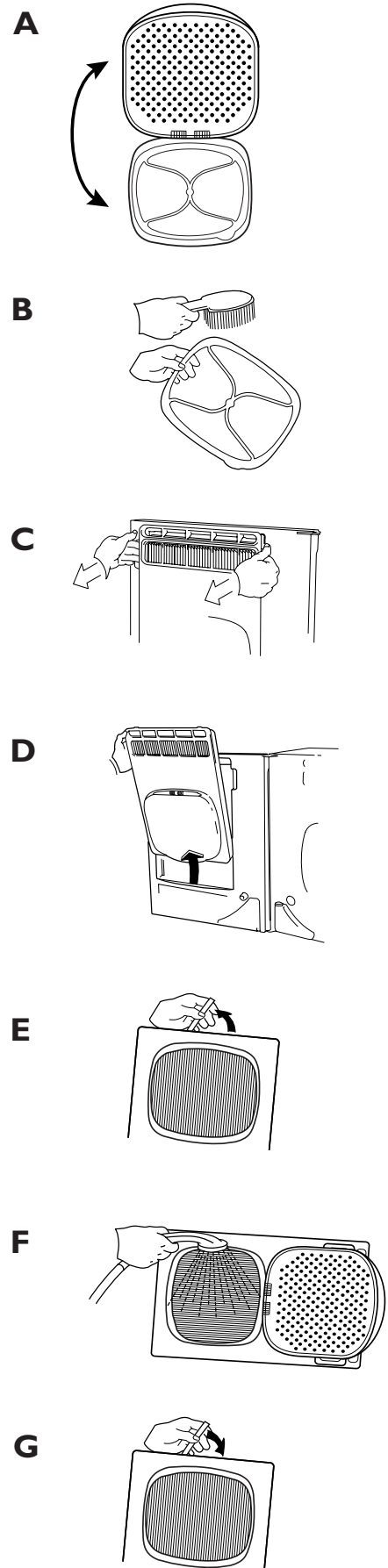
1. Open the door.
2. Open the coarse filter upwards (Fig. A).
3. Brush the fluff off the fluff filter (Fig. B), which is under the coarse filter. Sometimes you may need to remove the fluff filter to clean it on both sides. Make sure that you put the fluff filter back correctly after cleaning, before closing the coarse filter.

**⚠ Never start the dryer unless the fluff filter is clean and correctly in place. Do not use the dryer if the fluff filter is damaged (this could cause overheating).**

## The condenser

As in all types of tumble dryer, the air circulated through the dryer picks up fluff. As a result, some fluff will accumulate in the condenser, so it needs to be cleaned occasionally. To clean the condenser:

1. Open the door and open the coarse filter upwards.
2. Remove the fluff filter and close the coarse filter again.
3. Grasp the recesses at the top of the condenser with your fingers and use your thumbs to press against the door (Fig. C & D). The condenser will come free, allowing you to lift it outwards/ upwards. Be careful not to damage the sensitive aluminium section.
4. Turn it upside down, and clean it on both sides using a vacuum cleaner. Remove the red drain plug on the lower edge of the condenser (Fig E). Lay the condenser flat and fill it with water through the filter opening. Now leave the condenser to soak in water for about five minutes, then spray hot water through it (e.g. with a hand-held shower) from both sides (Fig. F). Dry the condenser carefully afterwards. Don't forget to put back the red drain plug (Fig. G).
5. Put the condenser back in the dryer. Make sure that its base is lined up in the slots in the condenser cavity inside the dryer door. Press the condenser carefully into place until you feel and hear a gentle "snap". Put back the fluff filter and close the coarse filter.

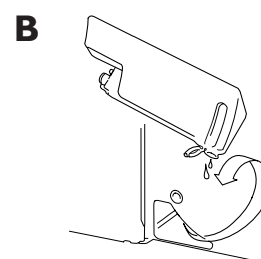
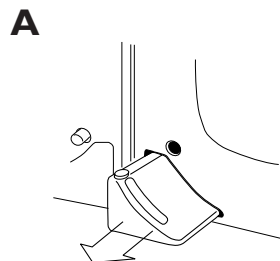


## Emptying the water tank

A warning light on the control panel will come on when it is time to empty the water tank. If it is operating when this happens, the dryer will stop automatically until the tank is emptied. It is a good idea to get into the habit of emptying the tank either before or after each load.

To empty the tank:

1. Open the door.
2. Pull out the tank (Fig. A).
3. Open the tank lid and pour the water out (Fig. B).
4. Close the lid and push the tank back into place.  
Press it home until you can feel that it is properly “engaged” in place.



# Something not working

Certain problems are due to lack of simple maintenance or oversights, which can be solved easily without calling out an engineer. Before contacting your local Service Force Centre, please carry out the checks listed below.

**IMPORTANT!** If you call out an engineer to a fault listed below, or to repair a fault caused by incorrect use or installation, a charge will be made even if the appliance is under guarantee.

Symptom	Check
The dryer will not start.	<ul style="list-style-type: none"><li>■ Has the dryer no power supply?</li><li>■ Check circuit-breakers/fuses (start with fuse in electrical plug).</li><li>■ Is the door closed properly?</li><li>■ Is the program/timer knob in the 0 position?</li><li>■ Is the water tank full?</li></ul>
The load is not drying properly, or is taking too long to dry.	<ul style="list-style-type: none"><li>■ Was the time set not long enough?</li><li>■ Is the fluff filter clogged?</li><li>■ Is the condenser clogged?</li><li>■ Was the load not spun enough in the washing machine?</li><li>■ Have you been using the "Synthetics" setting (on the timer) (lower drying temperature)?</li><li>■ Is the temperature in the room too high?</li></ul>
The area around the dryer is hot.	<ul style="list-style-type: none"><li>■ Is the room too small? (Improve the room ventilation, open a door or window or choose another site for the dryer.)</li></ul>



**Never attempt to repair the tumble dryer yourself. Repairs carried out by unauthorised or inexperienced persons can cause injury or serious malfunctioning.**

## Service and spare parts

If you require an engineer or you wish to purchase spare parts contact your local Zanussi Service Force Centre by telephoning:

**0870 5 929929**

Your call will be routed to the service centre covering your post code area. For further details see the accompanying Customer Care Leaflet.

**In-guarantee customers should ensure that the checks have been made as the engineer will make a charge if the fault is not a mechanical or electrical breakdown.**

Please note that proof of purchase is required for any in-guarantee service calls.

When you contact the Service Centre you will need to give the following details:

1. Your name, address and post code
2. Your telephone number
3. Clear and concise details of the fault
4. The model and serial number of the appliance  
(found on the rating plate)
5. The purchase date

## Customer Care

For general enquiries or for further information on Zanussi products, please contact our Customer Care Department at:

Zanussi  
Zanussi House  
Hambridge Road  
Newbury  
Berkshire  
RG14 5EP

Tel: 01635 521313

# Guarantee Conditions

## Standard guarantee conditions

We, Zanussi Limited, undertake that if within 12 months of the date of the purchase this Zanussi appliance or any part thereof is proved to be defective by reason only of faulty workmanship or materials, we will, at our option repair or replace the same FREE OF CHARGE for labour, materials or carriage on condition that:

- The appliance has been correctly installed and used only on the electricity supply stated on the rating plate
- The appliance has been used for normal domestic purposes only, and in accordance with the manufacturer's instructions
- The appliance has not been serviced, maintained repaired, taken apart or tampered with by any person not authorised by us
- All service work under this guarantee must be undertaken by a Zanussi Service Force Centre
- Any appliance or defective part replaced shall become the Company's property
- This guarantee is in addition to your statutory and other legal rights

Home visits are made between **8.30am** and **5.30pm** Monday to Friday. Visits may be available outside these hours in which case a **premium** will be charged.

## Exclusions

**This guarantee does not cover:**

- Damage or calls resulting from transportation, improper use or neglect, the replacement of any light bulbs or removable parts of glass or plastic
- Costs incurred for calls to put right an appliance which is improperly installed or calls to appliances outside the United Kingdom
- Appliances found to be in use within a commercial environment, plus those which are the subject to rental agreements
- Products of Zanussi manufacture which are not marketed by Zanussi Limited

## European Guarantee

If you should move to another country within Europe then your guarantee moves with you to your new home subject to the following qualifications:

- The guarantee starts from the date you first purchased your product
- The guarantee is for the same period and to the same extent for labour and parts as exists in the new country of use for this brand or range of products
- This guarantee relates to you and cannot be transferred to another user
- Your new home is within the European Community (EC) or European Free Trade Area
- The product is installed and used in accordance with our instructions and is only used domestically, i.e. a normal household
- The product is installed taking into account regulations in your new country

Before you move please contact your nearest Customer Care centre, listed below, to give them details of your new home. They will then ensure that the local Service Organisation is aware of your move and able to look after you and your appliances.

France	Senlis	+33 (0)3 44 62 29 99
Germany	Nurnberg	+49 (0)911 323 2600
Italy	Pordenone	+39 (0)1678 47053
Sweden	Stockholm	+46 (0)8 738 79 50
UK	Newbury	+44 (0)1635 521313

# Installation instructions

 Any electrical work required to install this appliance should be carried out by a qualified electrician or competent person.

 Any plumbing work required to install this appliance should be carried out by a qualified plumber or competent person.

## Technical specifications

<b>Dimensions</b>	Overall Width	605 mm
	Height	686 mm
	Depth	420 mm (with door closed)
	Depth	900 mm (with door opened 90°)
<b>Weight</b>	(net)	32 kg
<b>Capacity</b>	3.5 kg (cotton)	
<b>Electrical supply:</b>	240V, single-phase, 50 Hz	
<b>Fuse:</b>	13 A	
<b>Motor:</b>	170 W	
<b>Power rating :</b>	2020 W	

### Consumption according to the IEC 1121 international standard

Energy 2.7 kWh/3.5 kg cotton

Drying time 100 min. incl. cool-down/3.5 kg cotton

## Choosing where to install the dryer

You can install this dryer in a number of different ways. We will show you the most suitable of these. Whichever way you install it, here are some points to bear in mind:

- Always ensure that the dryer is level.
- The temperature in the room should not exceed +35°C when the dryer is operating. If it does, open a door or window while the dryer is on.
- The area around the dryer should be as dust-free as possible.
- If you install the dryer with its door hinge side towards a wall, or next to a cupboard or wall unit which is more than 370 mm deep, you will need to leave a space on the hinge side at least 30 mm wide. This is to allow the door to open wide enough for removing the water tank.
- Ensure the air ducts are not obstructed.

## Worktop installation

If you prefer to install your dryer on a worktop, you must anchor it at the top rear to prevent it from tipping forwards.

Method:

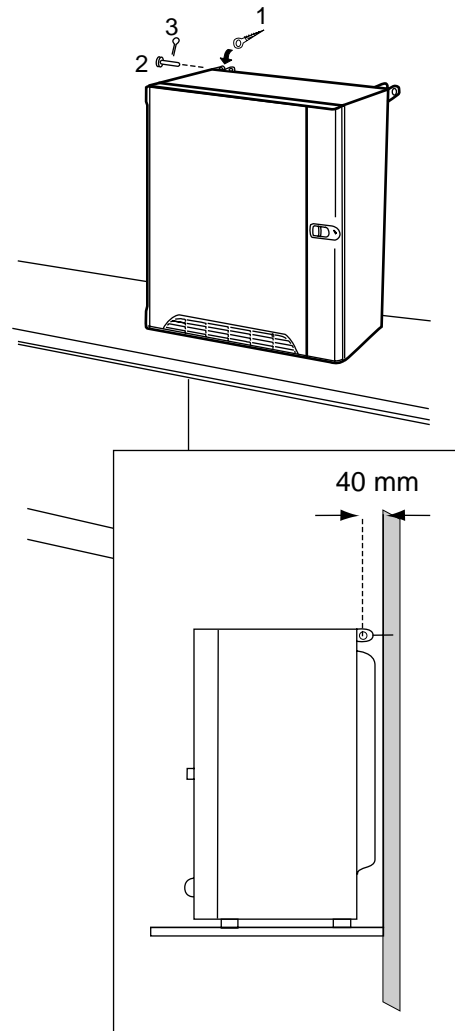
- Begin by placing the dryer on the worktop in the position where it is to be installed.
- Level the dryer with the aid of its adjustable feet.
- On the wall, mark the position of the hole needed for the screw eye. The correct place is opposite the centre of the left-hand bracket on the top rear of the dryer. Drill a hole for a 5.5 mm diameter plastic wall plug.
- Screw the screw eye supplied (1) into place. Once in place, the “eye” (aperture) of the screw eye needs to be 40 mm from the wall.
- Position the dryer so that the eye is correctly aligned in the bracket.
- Fit the pin (2) through bracket and eye, and lock it in place with the split-pin (3).



**The adjustable feet must not be removed. They ensure that there is adequate ventilation underneath the dryer.**

## Electrical supply

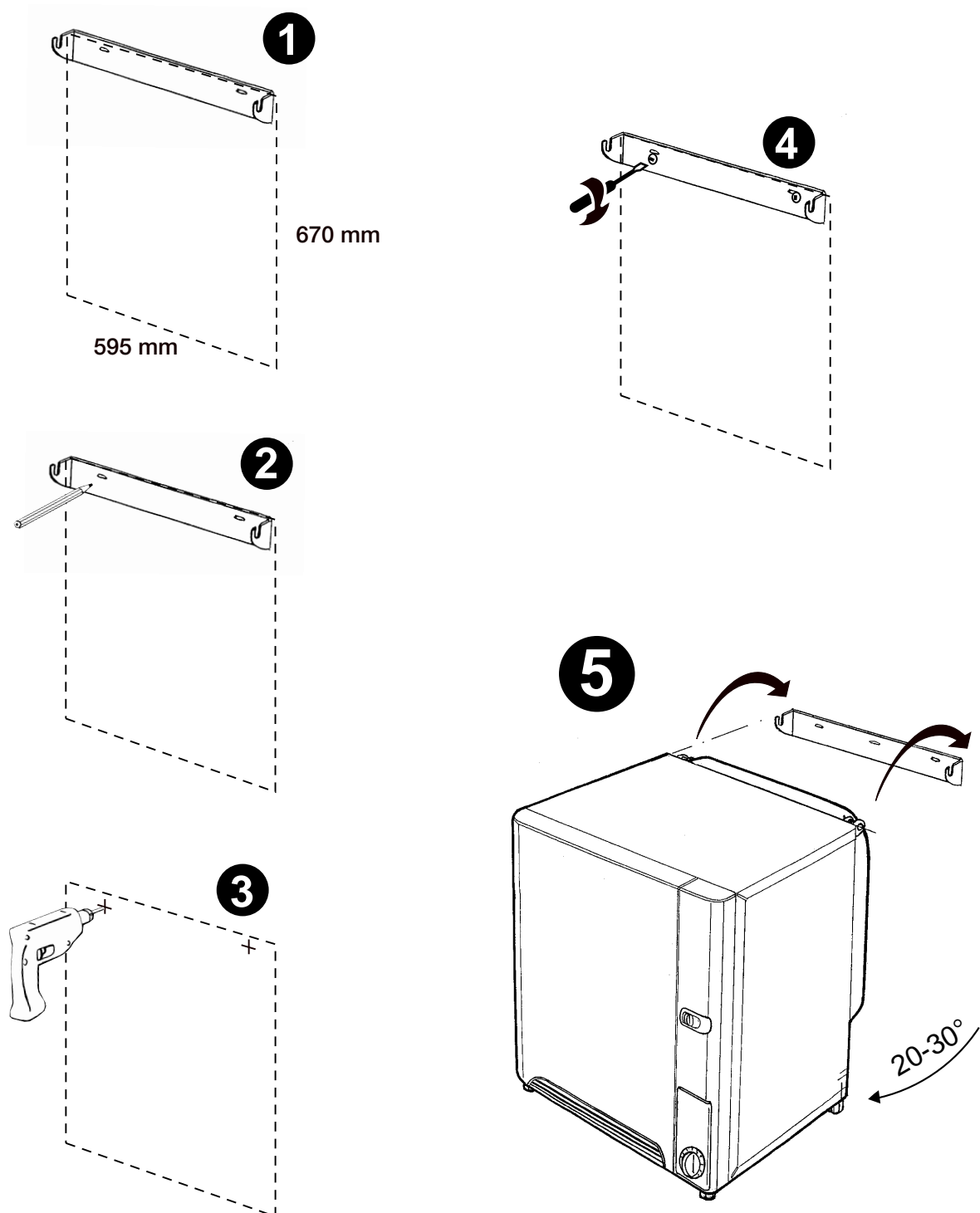
The dryer is supplied with a lead and electrical plug for connection to an earthed wall socket, 240 V, 13 A. If the dryer is to have fixed wiring to the electrical supply, this should only be carried out by a qualified electrician or competent person.



## Wall mounting

Before deciding on the wall mounting site, it is important to check that the electrical lead will reach the wall socket once the dryer is in place. All electrical work performed on the dryer should be done by a qualified electrician or competent person. If you are installing the dryer between wall-mounted cupboards, you should use the wall mounting kit. If the adjacent cupboards are more than

370 mm deep, don't forget to leave a space at least 30 mm wide on the left of the dryer so that the door can open wide enough. There should be a clear space at least 200 mm high between the top of the dryer and the ceiling or any cupboard above the dryer, to ensure adequate ventilation at the top.





## Electrical connection

**⚠ WARNING: THIS APPLIANCE MUST BE EARTHED.**

The manufacturer declines any liability should this safety measure not be observed.

If the plug that is fitted to your appliance is not suitable for your socket outlet, it must be cut off and the appropriate plug fitted.

Remove the fuse from the cut off plug.

The cut off plug should then be disposed of to prevent the hazard of shocks in case it should be plugged into a 13amp socket in another part or your home.

### Important

The wires in the mains lead are coloured in accordance with the following code:

<b>Green and Yellow</b>	<b>Earth</b>
<b>Blue</b>	<b>Neutral</b>
<b>Brown</b>	<b>Live</b>

If you fit your own plug, the colours of the wires in the mains lead of your appliance may not correspond with the markings identifying the terminals in your plug, proceed as follows:

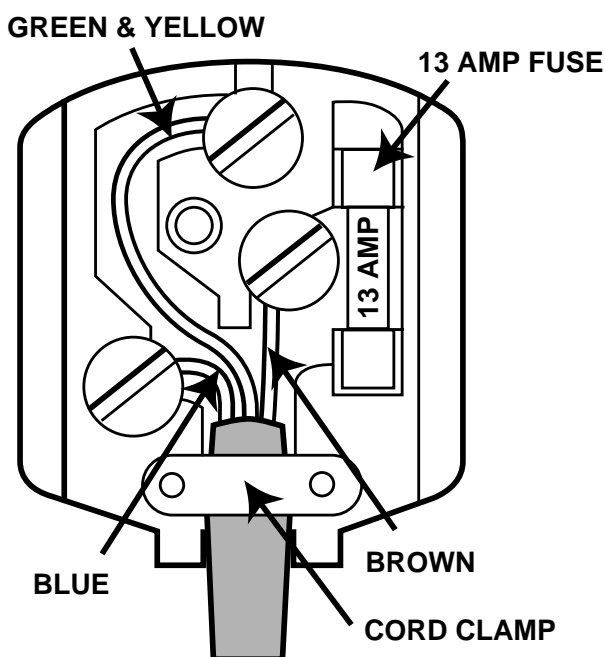
- Connect the **Green and Yellow** (earth) wire to the terminal in the plug which is marked with the letter «E» or the earth symbol  $\oplus$ , or coloured green and yellow.
- Connect the **Blue** (neutral) wire to the terminal in the plug which is marked with the letter «N» or coloured black.
- Connect the **Brown** (live) wire to the terminal in the plug which is marked with the letter «L» or coloured red.

The plug moulded onto the lead incorporates a fuse. For replacement, use a 13amp BS1362 fuse. Only ASTA or BSI approved fuses should be used.

The plug must not be used if the fuse cover/carrier is lost. The cover/carrier is indicated by the coloured insert at the base of the plug.

A replacement cover/carrier must be obtained from your local Zanussi Service Centre whose address is listed in the Customer Care Booklet which accompanies your instruction manual.

**Please ensure that when the appliance is installed it is easily accessible for the engineer in the event of a breakdown.**



**ZANUSSI**